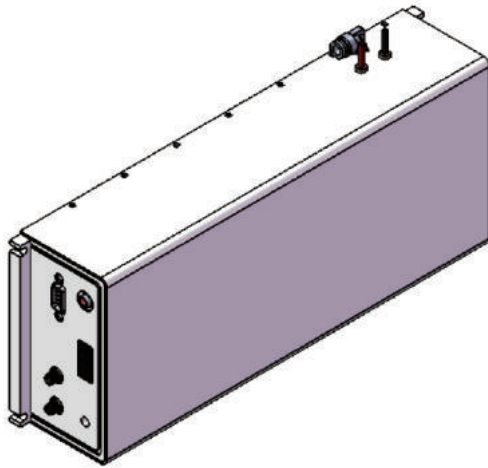
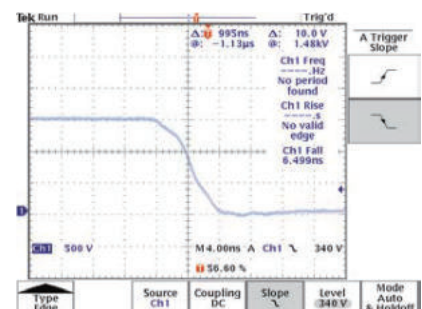
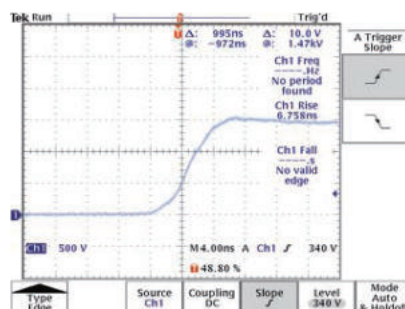
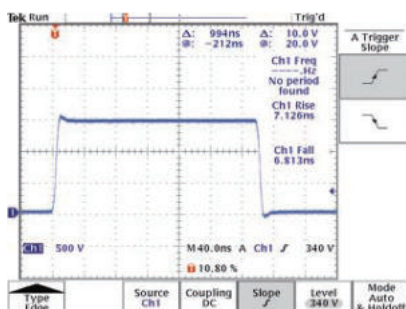


# CL-PACK-PCDH Series All-in-one Crystal Driver Module



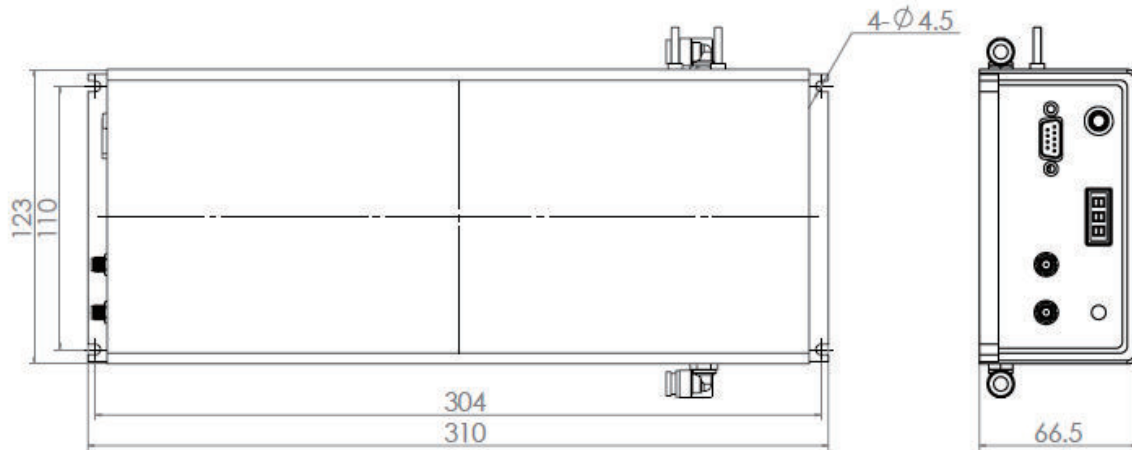
## PARAMETERS

Specification	
Series	CL-PACK-PCDH-S series
Model	CL-PACK-PCDH-S -250-3.8
High voltage Maximum rated voltage	3.8 kV
High voltage Maximum working voltage	3.6 kV
High voltage maximum repetition frequency	250 kHz
Pulse duration	15- 1250 ns
High voltage pulse rise time	<7.5 ns
High voltage pulse drop time	<7.5 ns
External trigger signal amplitude	3.5 – 5 V (50 Ω load)
External trigger signal amplitude	SMA
Type of cooling	Water-cooling
Volume	310*123*66.5 mm (L*W*H)
High voltage power	<75 W
Power supply	24V
Function	High voltage display, high voltage regulation, power indicator



# CL-PACK-PCDH Series All-in-one Crystal Driver Module

SIZE DIAGRAM (mm)



SIGNAL CONTROL DIAGRAM

