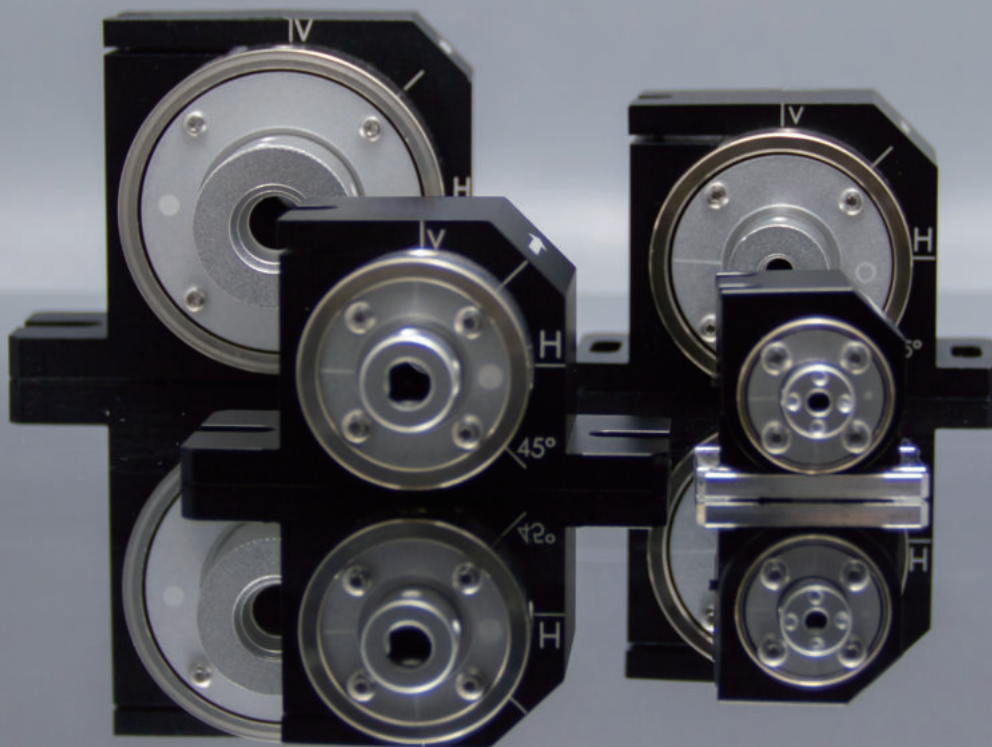




CRYLINK
— LINKING VALUE —



CryLink Isolator & Rotator

Magneto-optical devices for
isolated backward transmission of light



Scan Here

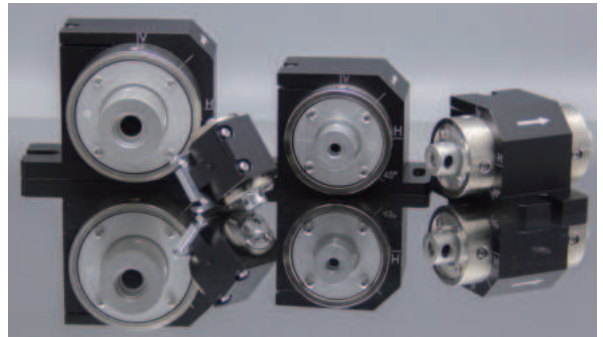


www.crylink.com

CryLink Isolator & Rotator • Superior Quality

Crylink's isolator/rotator offers high isolation and multi-wavelength compatibility, effectively protecting lasers and improving system stability.

It is favored by users across various fields, particularly in large laser systems and picosecond laser systems used in industry, scientific research, medical treatment, and beauty applications.



CryLink Isolator & Rotator • Production

Crylink's isolators/rotators are manufactured and assembled in ultra-clean rooms to avoid environmental impact on product quality.

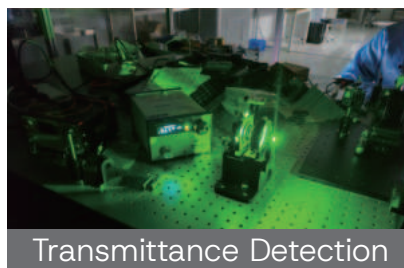
Technicians adhere to strict 5S management principles, thoroughly cleaning, debugging, and testing each component before assembly to ensure optimal performance.



CryLink Isolator & Rotator • Detection



Isolation Detection



Transmittance Detection



Surface Finish Detection

Crylink's inspection process includes testing for isolation, transmittance, and finish to ensure

That: **Isolator transmittance $T > 90\%$**

Isolator isolation $I > 30\text{dB}@25^\circ$

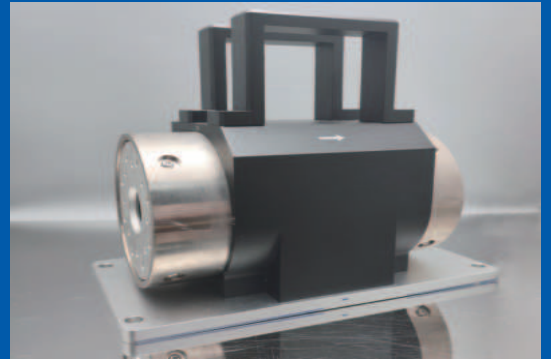
Surface Finish Detection is in accordance with MIL standards to ensure that customer requirements are met.

CryLink Isolator & Rotator · Customized

Crylink's develops and produces standard wave-length isolators/rotators according to the needs of different customers (see list of standard products for details).

We also offer customized services:

**Including special wavelengths from 400–1100nm.
Large diameter customization service (Φ10mm, 15mm, 20mm, 25mm, etc.)**



CryLink Isolator & Rotator · Standard

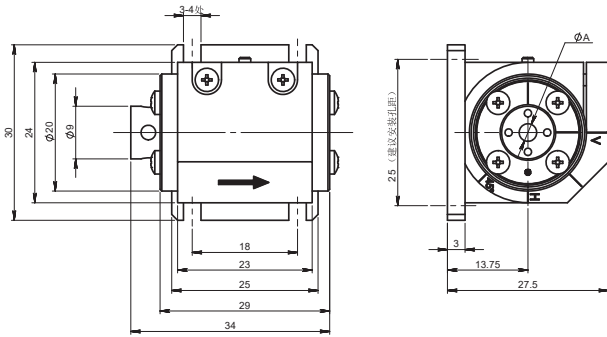
Model	Central Wavelength	Clear Aperture	Extinction ratio @25°C	Damage Threshold @10ns	Package type
CL-ISO-405-3	405nm	3mm	>30dB	10J/cm ²	1#
CL-ISO-450-3	450nm	3mm	>30dB	10J/cm ²	1#
CL-ISO-488-3*	488nm	3mm	>30dB	10J/cm ²	1#
CL-ISO-488-5*		5mm	>30dB	10J/cm ²	2#
CL-ISO-532-3	532nm	3mm	>30dB	10J/cm ²	1#
CL-ISO-532-5		5mm	>30dB	10J/cm ²	2#
CL-ISO-633-3	633nm	3mm	>30dB	10J/cm ²	1#
CL-ISO-633-5		5mm	>30dB	10J/cm ²	2#
CL-ISO-780-2.5	780nm	2.5mm	>30dB	10J/cm ²	1#
CL-ISO-780-5		5mm	>30dB	10J/cm ²	2#
CL-ISO-785-2.5	785nm	2.5mm	>30dB	10J/cm ²	1#
CL-ISO-785-5		5mm	>30dB	10J/cm ²	2#
CL-ISO-795-3	795nm	3mm	>30dB	10J/cm ²	1#
CL-ISO-850-3	850nm	3mm	>30dB	10J/cm ²	1#
CL-ISO-920-5*	920nm	5mm	>30dB	10J/cm ²	5#
CL-ISO-1030-2.5	1030nm	2.5mm	>30dB	10J/cm ²	3#
CL-ISO-1030-5		5mm	>30dB	10J/cm ²	3#
CL-ISO-1064-2.5	1064nm	2.5mm	>30dB	10J/cm ²	3#
CL-ISO-1064-5		5mm	>30dB	10J/cm ²	3#

Note:1.Models marked with an '*' are not available as rotators.

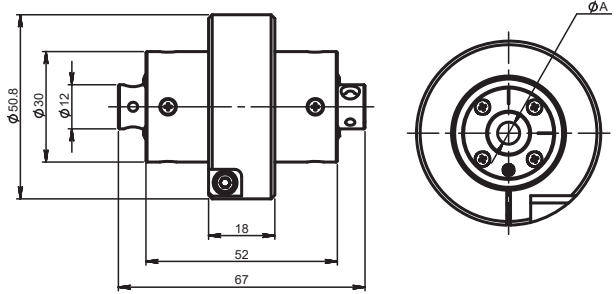
2.For more information, please contact sales at sales@crylink.com



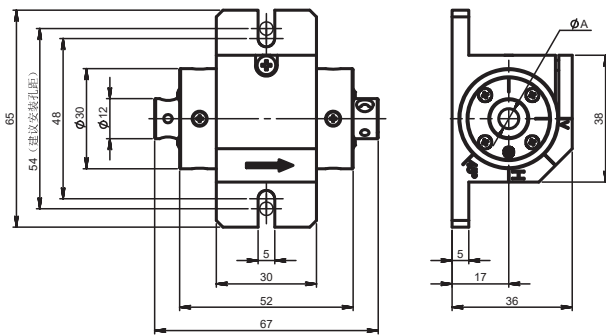
CryLink Isolator & Rotator · Model



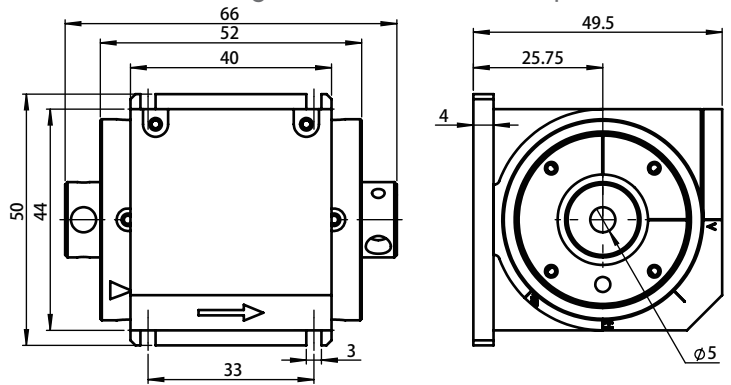
1# Package Isolator



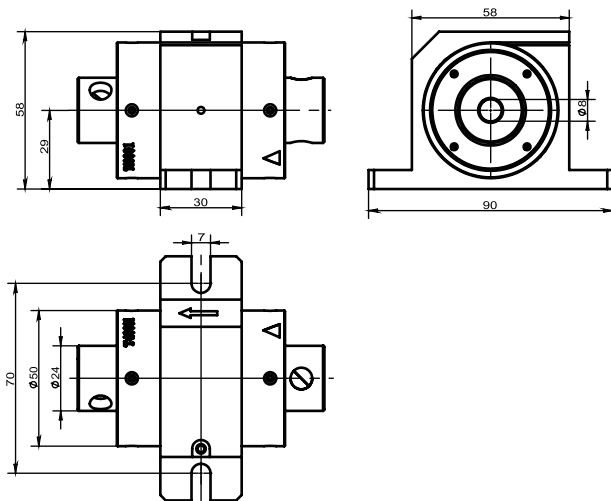
2# Package Isolator (standard adapter)



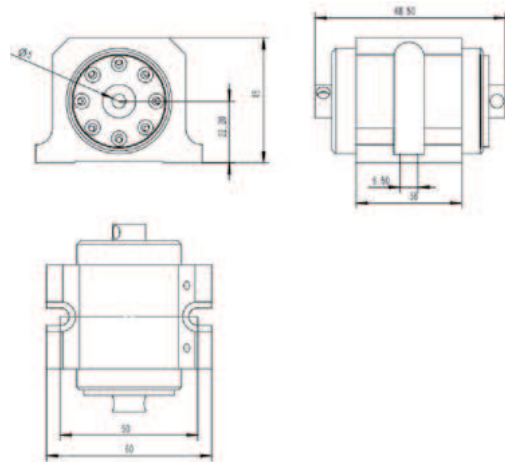
2# Package Isolator (optional fixed base)



3# Package Isolator



4# Package Isolator



5# Package Isolator

You are welcome to follow us on social media for more inquiries!

Note: All information and specifications in this product book are subject to change without notice. We reserve the right to make improvements and changes in our products and services. All test data is for reference only and actual performance may vary depending on specific applications and conditions of use.

